



**Materials**

High-density polyurethane mass-coloured foam body with an internal AISI 304 stainless steel profile structure. The cast aluminium base is painted in light grey.

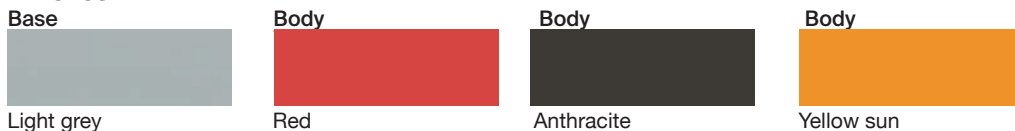
**Installation and maintenance**

Recommended minimum distance of 60 cm [24 in] between pieces. Anchored to the ground using two bolts. Delivered assembled, packaged. Instructions and anchor bolts are included. No functional maintenance is required. For further information log onto [urbidermis.com](http://urbidermis.com)

**Standards**

UNE 41510 , ISO 12944 , UNE EN 1780-2 , UNE EN 576 , DIN 4102 , PSA D47 431.

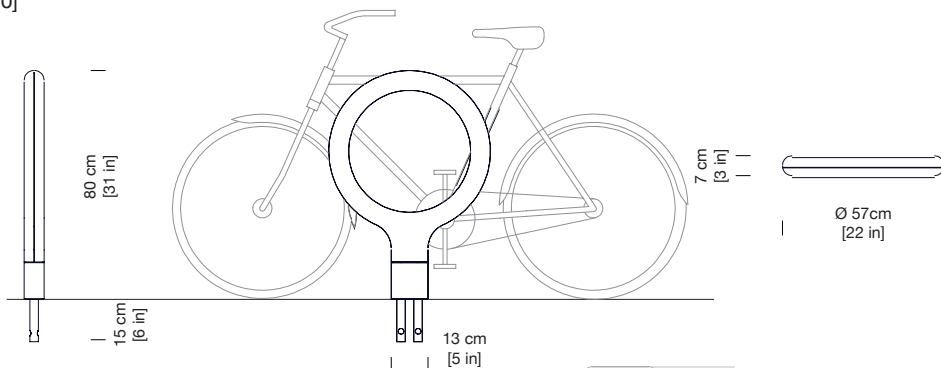
**Finishes**



\*The colours shown are merely indicative and may differ from reality. (Other colours available to order)  
 \*\*Consult finishes for marine environments.

**Weight (kg) [lb] (unpacked)**

9 [20]



**Headquarters** Parc de Belloch  
 Ctra. C-251, Km 5,6  
 E-08430 La Roca (Barcelona, Spain)  
 +34 938 619 100

**Warehouse**  
 Carrer del Fou. Polígono Industrial Sud  
 E-08440 Cardedeu (Barcelona, Spain)  
 +34 938 619 182



KYA11  
 KYA12  
 KYA13