

The Gripple Plus Anchor Kit (GPAK) is supplied as a ready-to-use kit comprising a pre-cut, fused length of wire rope and a Gripple Plus tensioner.

FEATURES / BENEFITS

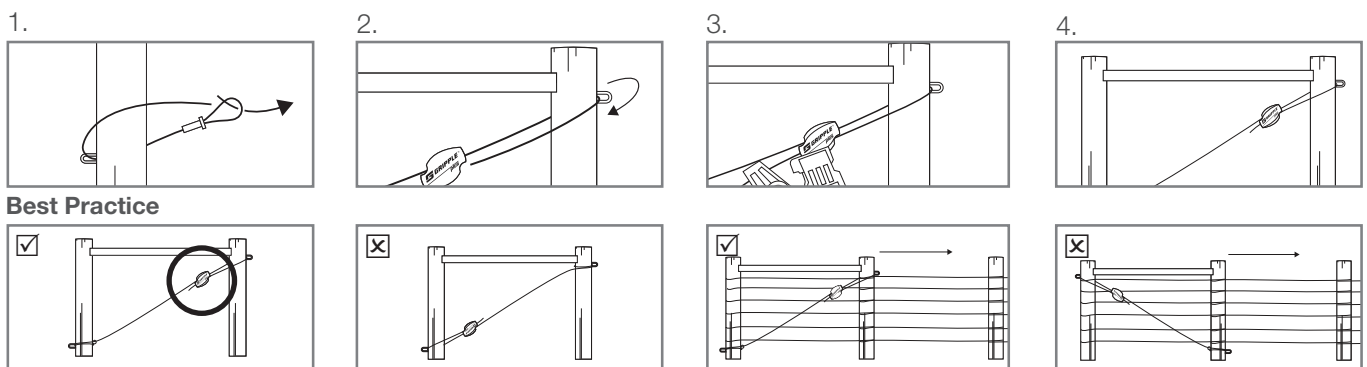
- Suitable for wooden and metal post bracing
- High load capacity
- Easily re-tensioned year-after-year
- Manufactured with zinc aluminium wire rope for corrosion resistance
- Consistent, professional finish



SPECIFICATION

Product	Wire Diameter	Wire Length	Maximum Working Load
GPAK 4	4.00 mm	5.0 m	600 kg

INSTALLATION



TIPS

- Always 'choke' the wire rope tightly against the bottom of the post to avoid animals getting caught up in the fence
- Coupling a GPAK with an Anchor will secure your fence, where space is limited

