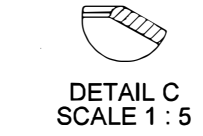
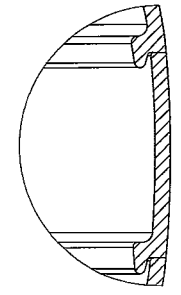


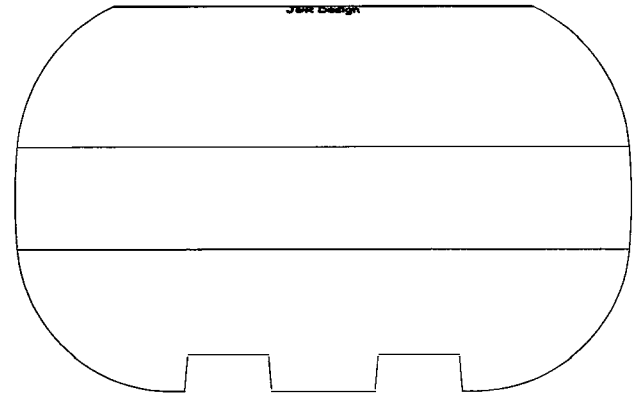
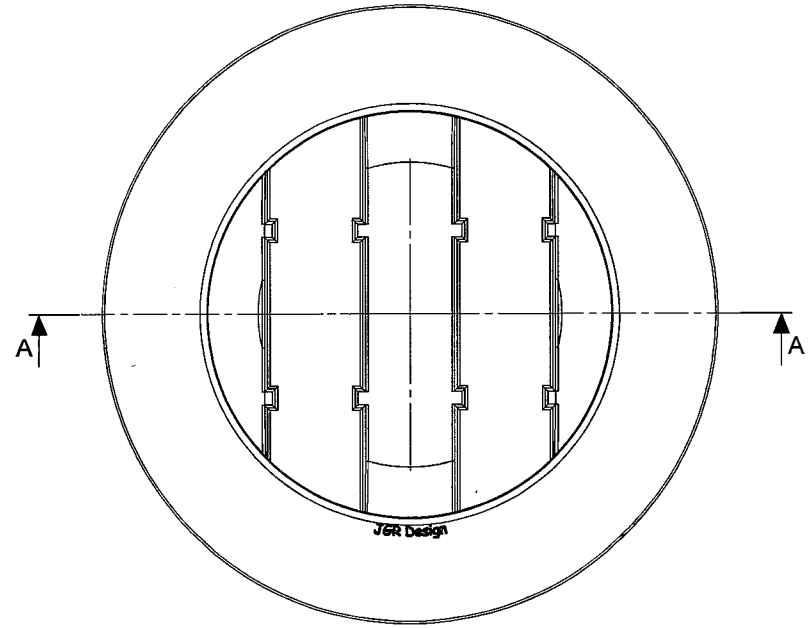
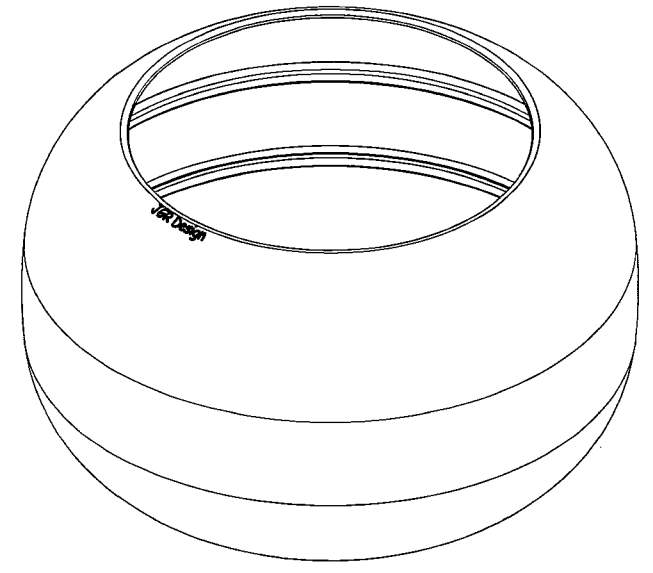
SECTION A-A
SCALE 1 : 10



DETAIL C
SCALE 1 : 5



DETAIL B
SCALE 1 : 5



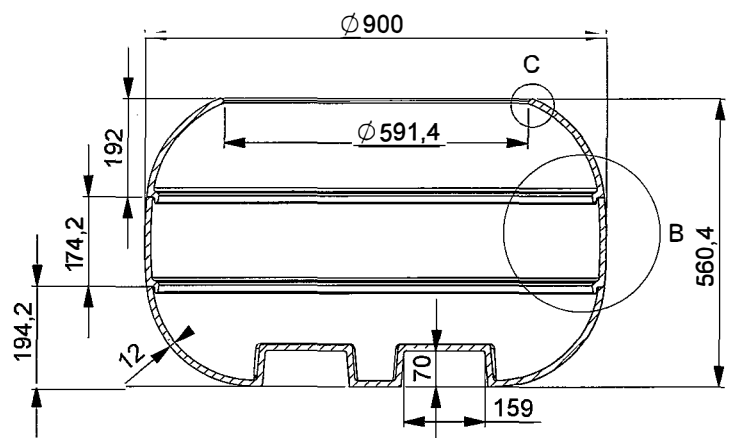
Material: EN-GJL-200
Weight ca. 414kg

Use the 3D model to make the pattern.
The controll measures are marked (letter)

© Johan G. REFSAHL

Date 2022.10.23	Drawn by JGR	Scale (A3)		
Reg.date			Substitute for	Replaced by
			2023.01.05	
Art.nr. Urne Ø1200 alt 2_3delt				
Reference/file: H:\privat\Core Tech as\			Side 1 av 3	

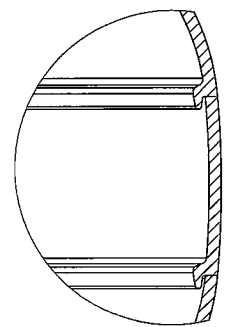
Rev	Description	Date	By



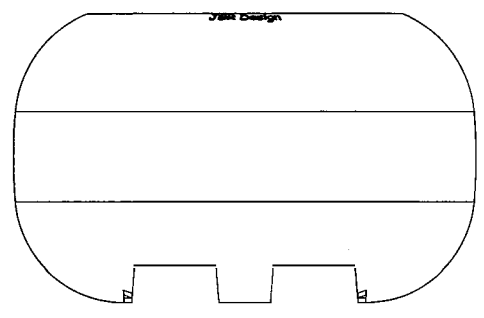
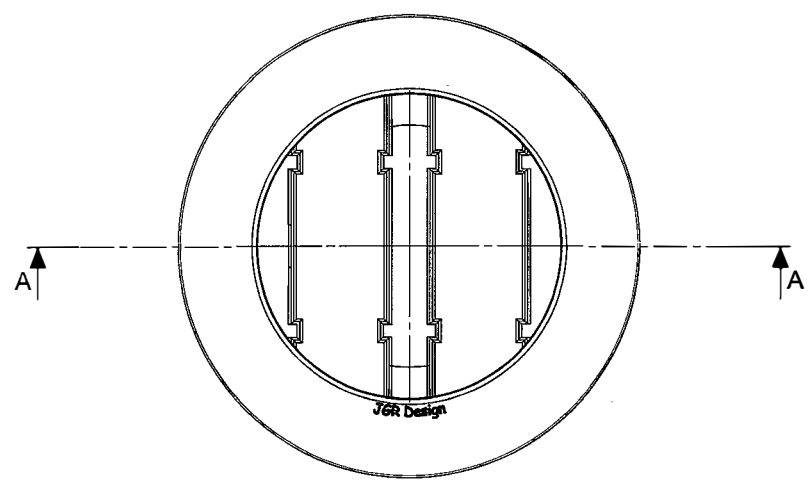
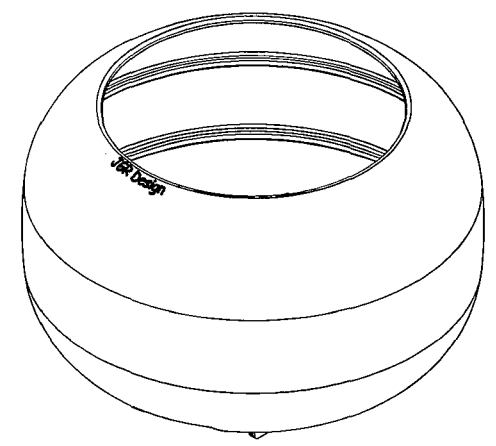
SECTION A-A
SCALE 1 : 10



DETAIL C
SCALE 1 : 5



DETAIL B
SCALE 1 : 5



Material: EN-GJL-200
Weight ca. 189,5kg

Use the 3D model to make the pattern.
The controll measures are marked (letter)

© Johan G. REFSAHL

Date 2023.01.27	Drawn by JGR	Scale (A3)	
Reg.date			
		Substitute for	Replaced by
		2023.01.27	
Art.nr. Urne Ø900 alt 2_3delt		Reference/file: H:\privat\Core Tech as\	
		Side 1 av 3	

Rev	Description	Date	By